

NETVIO

SIMPLIFYING COMPLEXITY

MX-H2-0404-10 4x4 Compact HDMI Matrix



4K HDR

LATEST 4K MEDIA

4K/60 HDR using Cat5e/6 with 40m & 70m output support.

If bandwidth exceeds HDBaseT 10.2Gbps limits, then seamless light compression is added.

SCALING

AUTO 4K/1080P

Onboard scaling solves a re-occurring problem on how to seamlessly integrate the latest 4K/60 HDR displays with older legacy 1080p equipment.

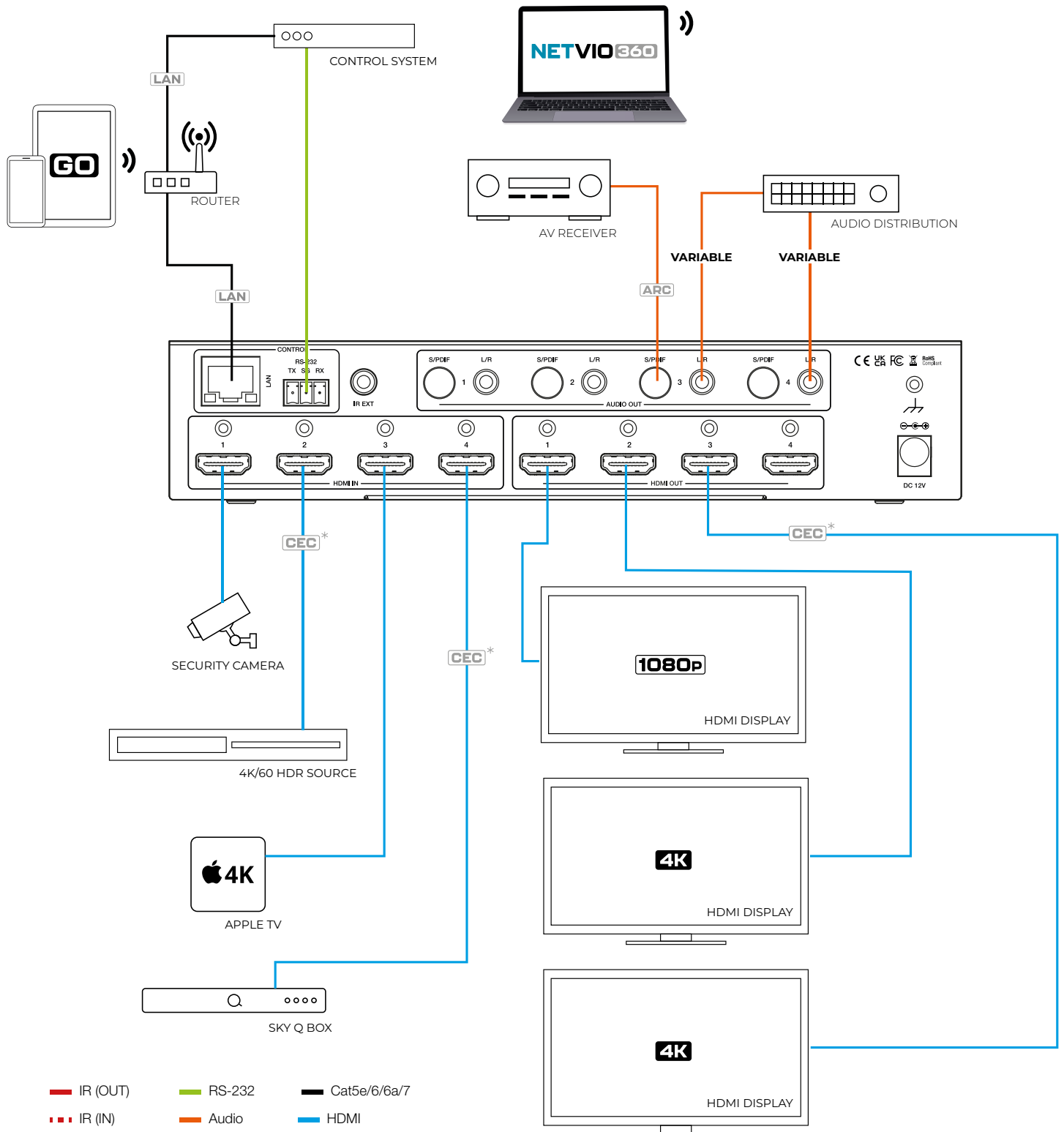
ARC

CAPTURE & ROUTING

Audio return provides the best possible digital audio experience from popular embedded display applications.

Capture, route & connect to audio systems using analogue and digital outputs.

Basic Wiring Diagram



* CEC control subject to device function and compatibility

VIDEO**Encoding Data Rate**

HDMI: Max 17.82Gbs

Max Video Transmission

3840x2160 60fps 4:4:4 8b

HDMI (Inputs/Outputs)

Supporting HDMI 2.0b resolutions including 3840x2160 60fps HDR.

Max Pixel Clock

600MHz / 600Mcsc

HDR Compatibility

HDR10, HDR10+, Hybrid Log-Gamma, Dolby Vision

Scaler Function

4K to 1920x1080 progressive

Modes include, pass-through (no scaling), Fixed 4K → 2K, Automatic

HDCP

Inclusive up to 2.2

AUDIO**Audio Formats:**

LPCM 2ch, LPCM 5.1, LPCM 7.1, Dolby Digital, Dolby Digital Plus, Dolby TrueHD, DTS, DTS Master

Audio Outputs:

4no. 2ch variable line level stereo analog audio jack sockets.

4no. S/PDIF audio via female RCA socket, S/PDIF digital audio supporting uncompressed PCM and non-linear PCM-encoded bitstreams.

Audio Return Channel:

ARC capture from compatible display. Output through described audio outputs.

COMMUNICATION & CONTROL**HDMI:**

CEC, DDC

RS-232:

Supports direct via a DB9 socket on the rear panel.

LAN:

Local discovery and API console via Netvio 360 & Netvio Go APP,

3rd-party integration via public API

Drivers & Control

Drivers available for control systems including C4, Crestron, RTI & Elan.

Discovery, configure, optimise, design via Netvio 360 utility.

Full spectrum AV control via FREE Netvio application for Apple & Android devices.

EDID

Automatic, Onboard pre-sets, Copy sync (RX)

ENVIRONMENTAL**Storage**

20°C / +60°C | 20% - 90% RH

Operating

0°C / +40°C | 20% - 90% RH

OTHER INFORMATION**Power Supply:**

External 12v PSU. supporting worldwide AC voltages (e.g. 120V/60 USA, 230V/50 UK)

FREE Software & Control

Netvio 360 utility - discovery, configure, optimise, design, control

Netvio GO - Full spectrum AV control

Weights & Dimensions:

Rack Units: Compact 1U

Height: 44mm

Width: 220mm

Depth: 105mm

Weight: 0.8kg

In the Box:

Phoenix Connectors

Remote Control

Regionalised Power Lead

Regulations

Safety Approvals: CE, UKCA, FCC, RoSH

Warranty

5-Year standard warranty

NETVIO360

DISCOVER, CONFIGURE, OPTIMISE, DESIGN & CONTROL

Netvio 360, a free utility for PC and Mac provides a unified and guided workflow approach to discover, configure, optimise, design and control HDBaseT, 1Gb and 10Gb AVoIP solutions.

Use the design canvas tool to drag 'n' drop system components, draw control paths before launching Netvio GO! with a QR code.



NETVIOGO

GET, SET, GO!

Free-on-board! Netvio GO provides a high-quality end-user control experience for HDBaseT, 1Gb & 10Gb AVoIP solutions.

A full spectrum AV control platform using Apple & Android devices, Netvio GO seamlessly manages signal distribution, media sources, displays & audio devices via IR, RS-232, CEC & IP without dedicated control hardware.

Set-up & control established takes minutes using Netvio 360.

